

TN840 Extender Cards and Kits

To facilitate testing, alignment and maintenance for the MT-3 and MT-4 radio systems, extender cards and kits can be used to extend the individual modules out from the subrack.

Extender cards plug directly into the subrack, and are shown in Figure 1.

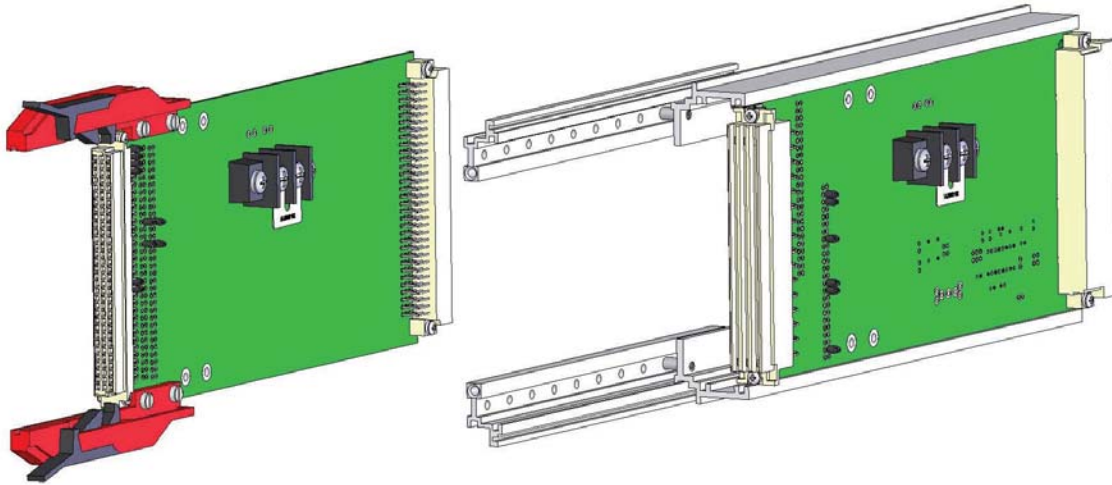


Figure 1: EC-96D1 and EC-48RD Extender Cards

Extender kits (extender card and a four foot cable) allow the modules to be extended out to a bench for servicing as shown in Figure 2.

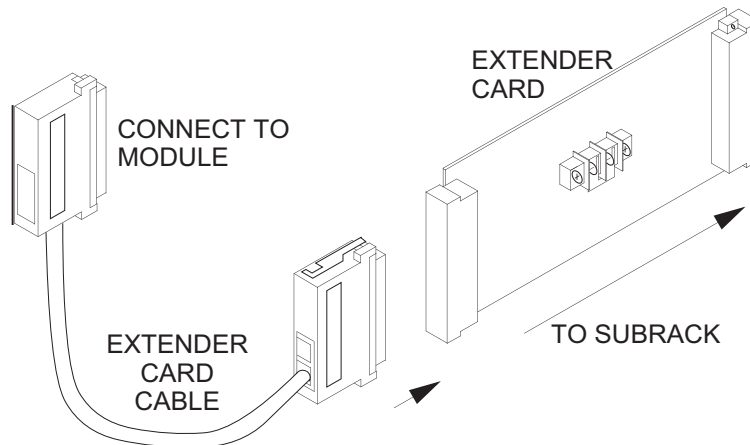


Figure 2: Extender Kit

TN840 Extender Cards and Kits

The following extender cards and kits are available:

EC-48RD Extender Card

Used for all transmitter, receiver and system regulator modules.

Direct connect (no cables).

Extender card and adapter panel extrusion are mounted in the subrack in TX, RX or SM-3 slot.

Adapter panel supports the module outside the subrack and has different slots for each module.

EC-96D1 Extender Card

Used for the 96 pin control cards (AC-3E, CI-RC-4L, CI-BC-4E, UIC-4).

Direct connect (no cables).

Extender card is mounted in the subrack in the control card slot.

Control card is inserted into the red plastic rails on the end of the extender card and is locked into place using black locking levers.

EC-48RK-1.22 Extender Kit

Used for all transmitter, receiver and system regulator modules.

Extender card and four foot cable.

Extender card and adapter panel extrusion is mounted in the subrack in TX, RX or SM-3 slot and cable is used to attach to module.

EC-96K-1.22 Extender Kit

Used for the 96 pin control cards (AC-3E, CI-RC-4L, CI-BC-4E, UIC-4).

Extender card and four foot cable.

Extender card is mounted in the subrack in the control card slot and cable is used to attach to module.

Test Points

The extender cards have solder points available on each signal line that can have a small test point (5059-TP110300), that is supplied with the extender card, soldered to them for easy connection with clip-on type clips.

Recommended Test Points are:

Audio Control Card and Base Control Card Extender Card pins (EC-96D1 and EC-96K-1.22):

Auxiliary 1 Audio Output = B11 & A11

Auxiliary 2 Audio Output = C1 & C3 (Audio Control Card); C2 & C4 (Base Control Card)

Auxiliary 1 Audio Input = C19 & C20

Auxiliary 2 Audio Input = B14 & A14

Receiver and Transmitter Extender Card pins (EC-48RD and EC-48RK-1.22):

Rx Balanced Audio Output = B26 & Z26

Tx Balanced Audio Input = B18 & Z18

Tx Subtone Input = B22 & Ground (B32)